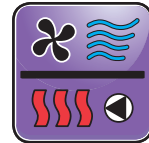


# tekmar® Submittal

## Mixing Control 360



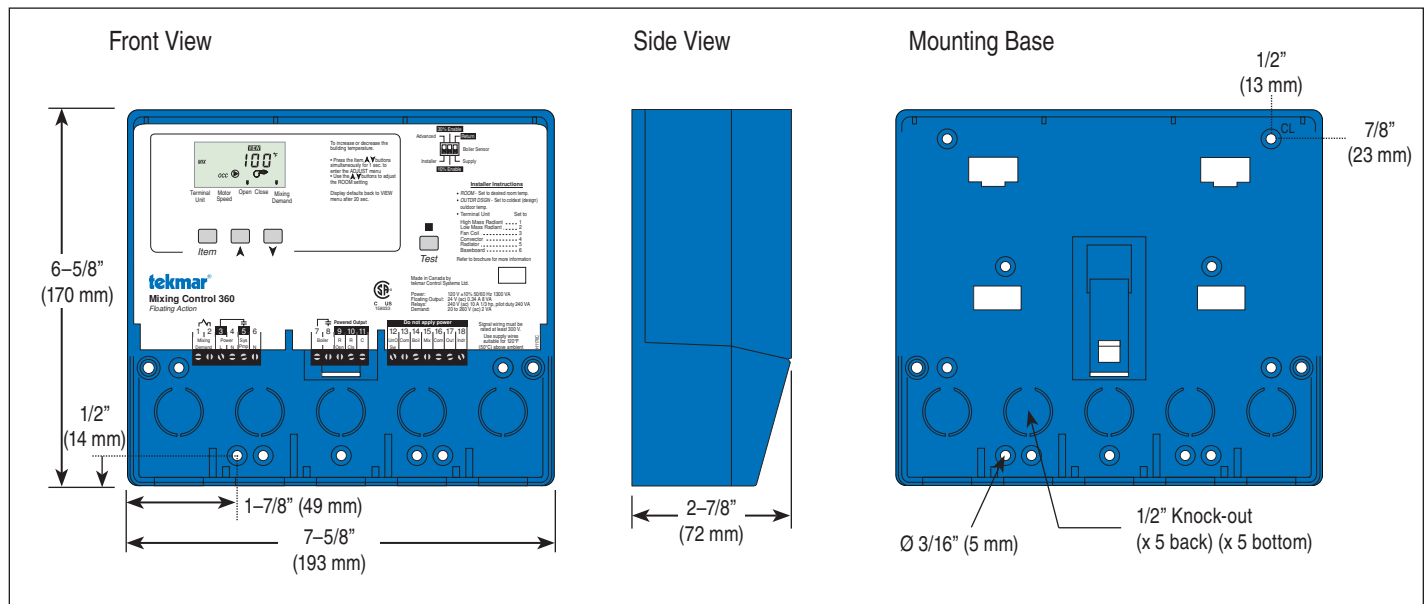
**C 360**

01/11

HVAC Systems Replaces: New

Job \_\_\_\_\_ Designer \_\_\_\_\_ Contact \_\_\_\_\_

The Mixing Control 360 is designed to operate a mixing valve using Outdoor Temperature Reset. It can be used in applications ranging from in-floor radiant to commercial baseboard systems for boiler protection with full reset. This control regulates a single heating water temperature through Outdoor Temperature Reset. It controls the mixing by opening or closing a floating action type mixing valve actuator (3 or 4 way valves), and also provides control of the mix system pump.



### Specifications

<b>Mixing Control 360 Floating Action</b>	
Literature	D360, A360, D001, D070
Control	Microprocessor control. This is not a safety (limit) control
Packaged weight	3.1 lb. (1420 g)
Dimensions	6-5/8" H x 7-9/16" W x 2-13/16" D (170 x 193 x 72 mm)
Enclosure	Blue PVC plastic, NEMA type 1
Approvals	CSA C US, meets class B: ICES & FCC Part 15
Ambient conditions	Indoor use only, 32 to 104°F (0 to 40°C), RH ≤90% Non-condensing
Power supply	120 V (ac) ±10%, 50/60 Hz, 1300 VA
Floating output	24 V (ac) 0.34 A 8 VA
Relays	240 V (ac) 10 A 1/3 hp
Demand	20 to 260 V (ac) 2 VA
Sensors	NTC thermistor, 10 kΩ @ 77°F (25°C ±0.2°C) β=3892
-Included	Outdoor Sensor 070 and 2 of Universal Sensor 082
-Optional	tekmar type #: 033, 076, 077, 084
Warranty	Limited 3 Year (See D360 for full warranty)

### Energy Saving Features

- Outdoor Temperature Reset
- Indoor Temperature Feedback (with optional indoor sensor)
- Warm Weather Shut Down
- Automatic Boiler Differential

### Additional Features

- Floating Action Mixing Control
- Quick setup for easy installation and programming of control
- User comfort adjustment to increase or decrease building space temperature
- Advanced settings to fine-tune building requirements
- Powered mixing system pump output
- Optional indoor sensor for room air temperature control
- Test sequence to ensure proper component operation
- Setback input for energy savings
- 120 V (ac) power supply
- CSA C US certified (approved to applicable UL standards)

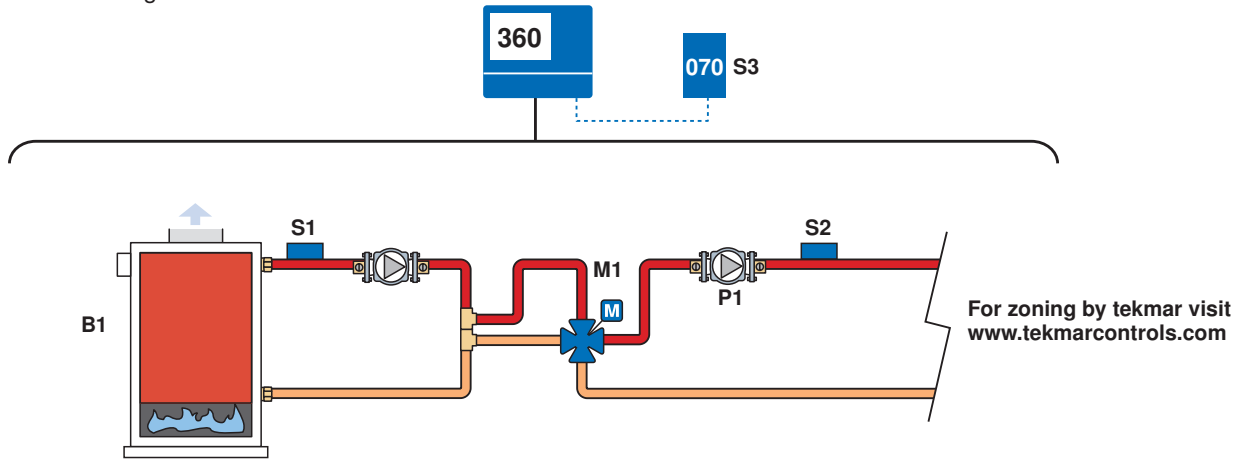
### SPECIAL REQUIREMENTS

N / A

# Sample Application Drawing

Below is a sample application drawing for this product. This application may include other tekmar products that are required for installation. More sample applications can be found at [www.tekmarcontrols.com](http://www.tekmarcontrols.com).

Sample Mechanical diagram



Sample Electrical diagram

### Legend

- B1 = Boiler 1**
- D1 = Mix Demand**  
(From thermostat or end switch)
- S1 = Boiler Supply Sensor**
- S2 = Mix Supply Sensor**
- S3 = Outdoor Sensor**
- P1 = Mix System pump**
- M1 = Floating Action Actuator**

